

MC285CB-3



Mini Crane

MC285CB-3



- 2,82 t x 1,4 m Max capacity
- 8,7 m Max Lifting Height
- 8,2 m x 150 kg Max Working radius

Specifications

Capacity	Maximum	2.82t x 1.4m
Working radius	Maximum	8.205m x 150kg
Lifting height	Maximum	8.7m x 550kg
Dimensions	MC285CB-3	2800mm x 750mm x 1470mm
Weight	MC285CB-3 Hook block weight	1995kg 30kg
Hook speed	Maximum	9.3m / min. (4 falls, 4th layer)
Single line speed	Maximum	37.2m / min. (4th layer)
Hoist rope	Type	IWRC 6 x Fi (29) 0/0, Ø 7mm x 48m
Telescopic system	Boom length Telescoping speed Boom type	2.535m - 8.575m 6.04m / 22 sec. Fully automatic 5 section pentagonal telescopic boom
Boom hoist system	Hoist angle / speed	0° - 80° / 14 sec.
Slew system	Slew angle / speed	360° continuous / 0.88 rpm
Outrigger system	Type Maximum outriggers	1st stage with flexible stay damper, 2nd stage manual pullout, hydraulic cylinder direct acting type (Length) 4782mm x (Front) 4718mm x (Rear) 3990mm
Traction system	Drive Travel speed Gradability Ground length x width Ground pressure	Hydraulic motor driven, stepless speed changer 0 - 2.0 km/h 20° 975mm x 200mm 0.512kgf / cm ²
Battery system	Maker Type Capacity Input Voltage/Current Charging during operation	Toshiba Lithium Titanate Battery DC55V - 135Ah - 7.5 kWh Single phase AC200V / 16A, AC100V / 15A Available
Motor	Rated output	Variable 7.5kW AC30V at 2500min ⁻¹
Charging time	(with AC-200V) (with AC-100V)	80%: 2h 20min / 100%: 3h 30min 80%: 5h 20min / 100%: 7h 00min
Operating time	Travelling (Hi speed) Crane	up to 2h up to a full working day, if charged during operation
Safe load indicator	Made specifically for Maeda Mini Cranes with a fully programmable working envelope	
Standard equipment	Overwind protection, Hour meter, Wireless radio remote control, White rubber tracks, Hydraulic safety valves, Tilt alarm, EMO switch, Programmable Moment limiter, Working limit settings, Working status lamp, Load indicator, Data logger, Crane and outrigger interlock system, 4-fall / 2-fall hook block.	
Optional equipment	Black Rubber Tracks, Single Fall Hook, 850kg Searcher Hook	

MC285CB-3/E/2022.03



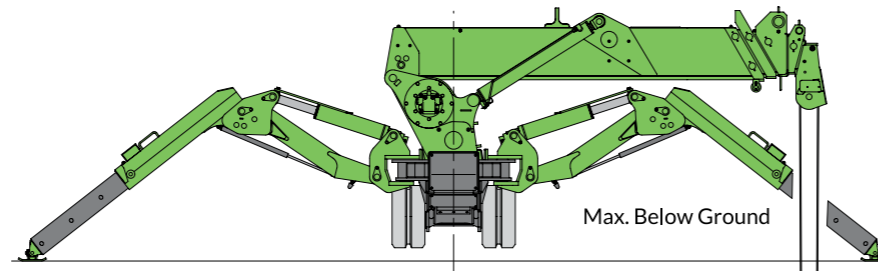
www.kranlyft.com



www.kranlyft.com

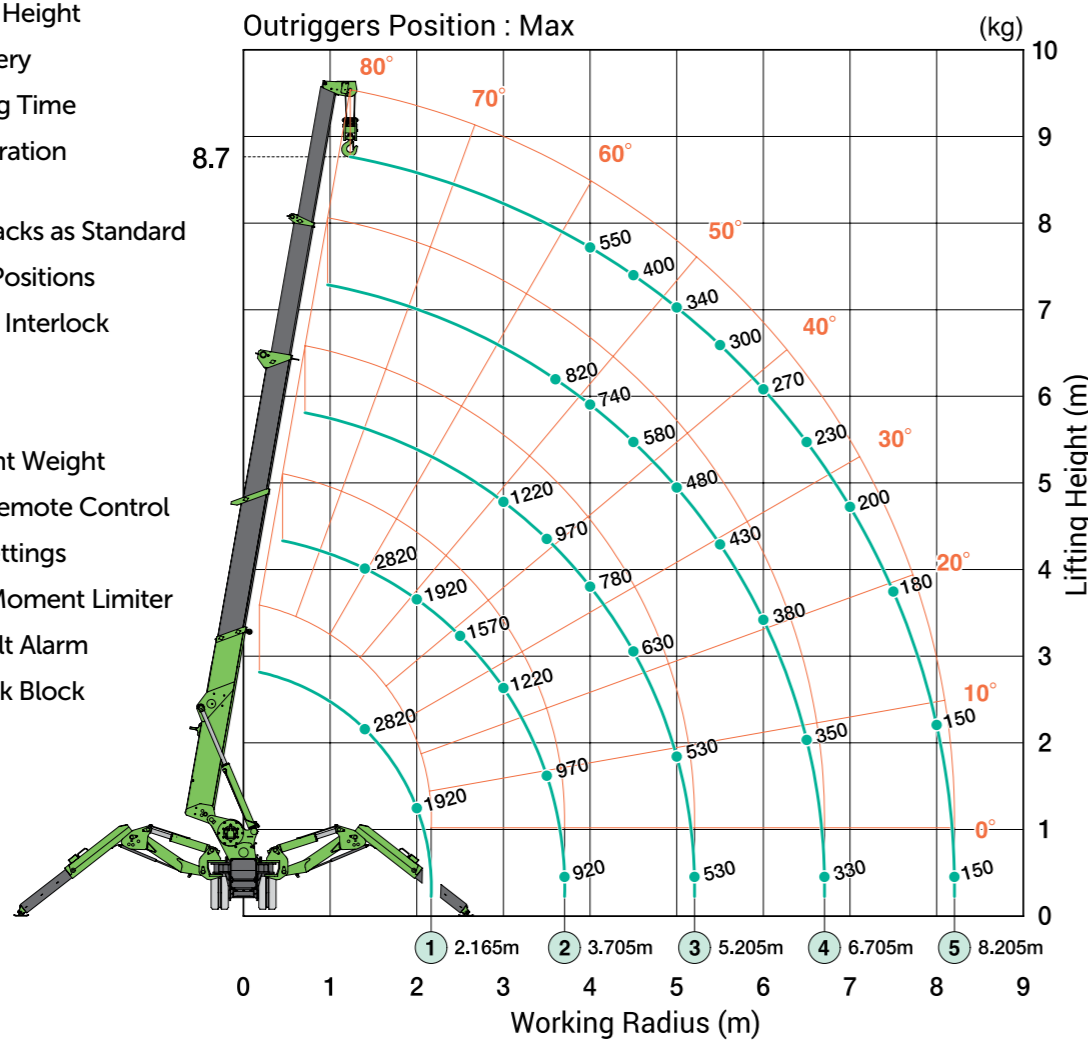
Delivering the capacity, reliability and flexibility required for the most demanding operators, the new Maeda MC285CB-3 builds on the successful legacy of the MC285C-3 model. Equipped with a strong and fast charging lithium-ion battery from Toshiba, it provides zero emissions and still equals its predecessor in both operation speeds and lifting capacity.

The crane can be operated for up to a full working day if charged during operation, and it is fully charged in only 3,5 hours. Since operation is possible while charging it facilitates the use and delivers minimum downtime. Welcome to the green way of lifting.



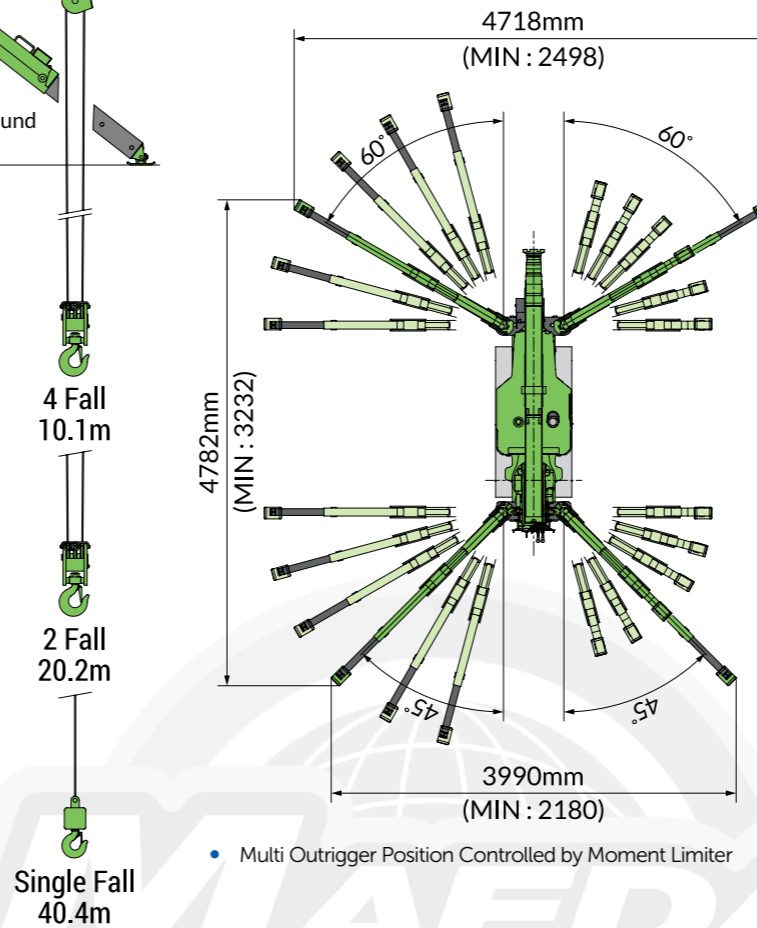
Save energy with the two ECO modes.

- 2.82t Max Capacity
- 8.7m Max Lifting Height
- Lithium-ion Battery
- Minimal Charging Time
- Continuous Operation While Charging
- White Rubber Tracks as Standard
- Multi Outrigger Positions
- Crane/Outrigger Interlock System
- 7" Display
- Low Noise & Light Weight
- Wireless Radio Remote Control
- Working Limit Settings
- Programmable Moment Limiter
- Data Logger & Tilt Alarm
- 4 fall / 2 Fall Hook Block
- Optional 850kg Searcher Hook

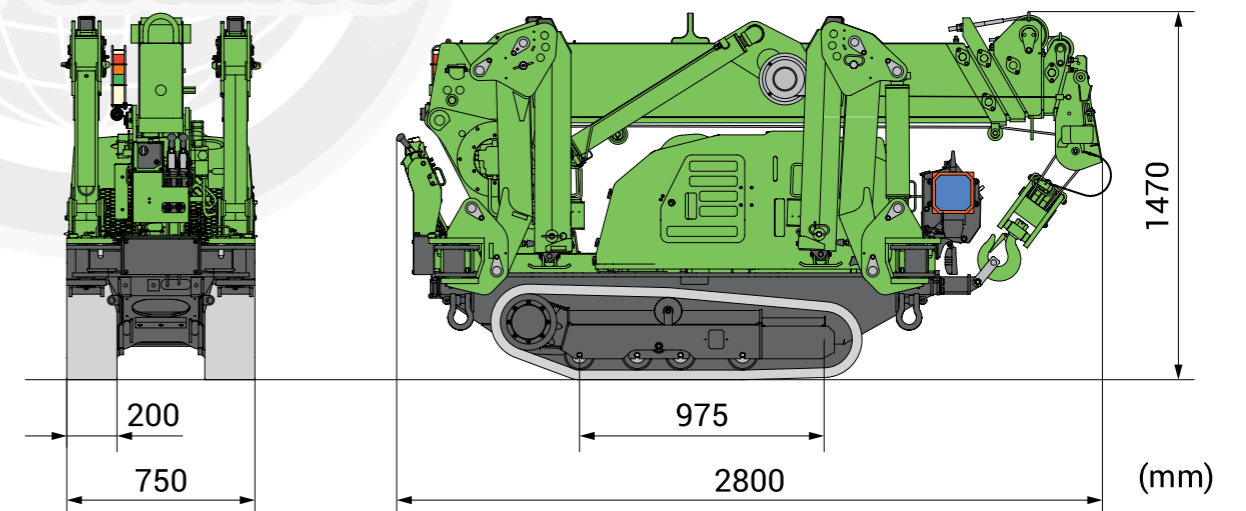


This working range chart shows total rated load including boom deflection.

Outrigger Footprints



Dimensions



Total rated load Outriggers at Maximum position							
2.535m/4.075m boom		5.575m boom		7.075m boom		8.575m boom	
Working radius (m)	Total rated load(kg)	Working radius (m)	Total rated load(kg)	Working radius (m)	Total rated load(kg)	Working radius (m)	Total rated load(kg)
< 1.4	2820	< 3.0	1220	< 3.6	820	< 4.0	550
1.5	2520	3.5	970	4.0	740	4.5	400
2.0	1920	4.0	780	4.5	580	5.0	340
2.5	1570	4.5	630	5.0	480	5.5	300
3.0	1220	5.0	530	5.5	430	6.0	270
3.5	970	5.205	530	6.0	380	6.5	230
3.705	920			6.5	350	7.0	200
				6.705	330	7.5	180
						8.0	150
						8.205	150

Total rated load Outriggers at any other position							
2.535m/4.075m boom		5.575m boom		7.075m boom		8.575m boom	
Working radius (m)	Total rated load(kg)	Working radius (m)	Total rated load(kg)	Working radius (m)	Total rated load(kg)	Working radius (m)	Total rated load(kg)
< 1.5	1720	< 3.0	510	< 3.6	400	< 4.0	330
2.0	1070	3.5	410	4.0	330	4.5	280
2.5	630	4.0	330	4.5	280	5.0	230
3.0	520	4.5	280	5.0	230	5.5	180
3.5	390	5.0	200	5.5	180	6.0	160
3.705	350	5.205	200	6.0	160	6.5	130
				6.5	130	7.0	100
				6.705	120	7.5	80
						8.0	70
						8.205	60

- When using two fall or single fall hooks, use the four fall Total Rated Load Charts but with a maximum load of: Two Fall 1410kg, Single Fall 710kg.